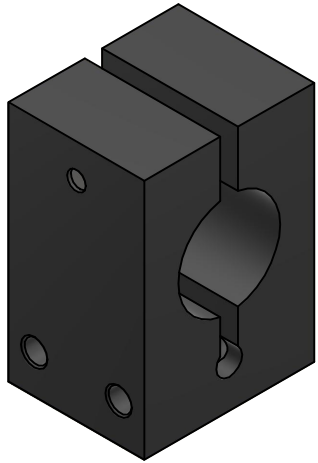


2

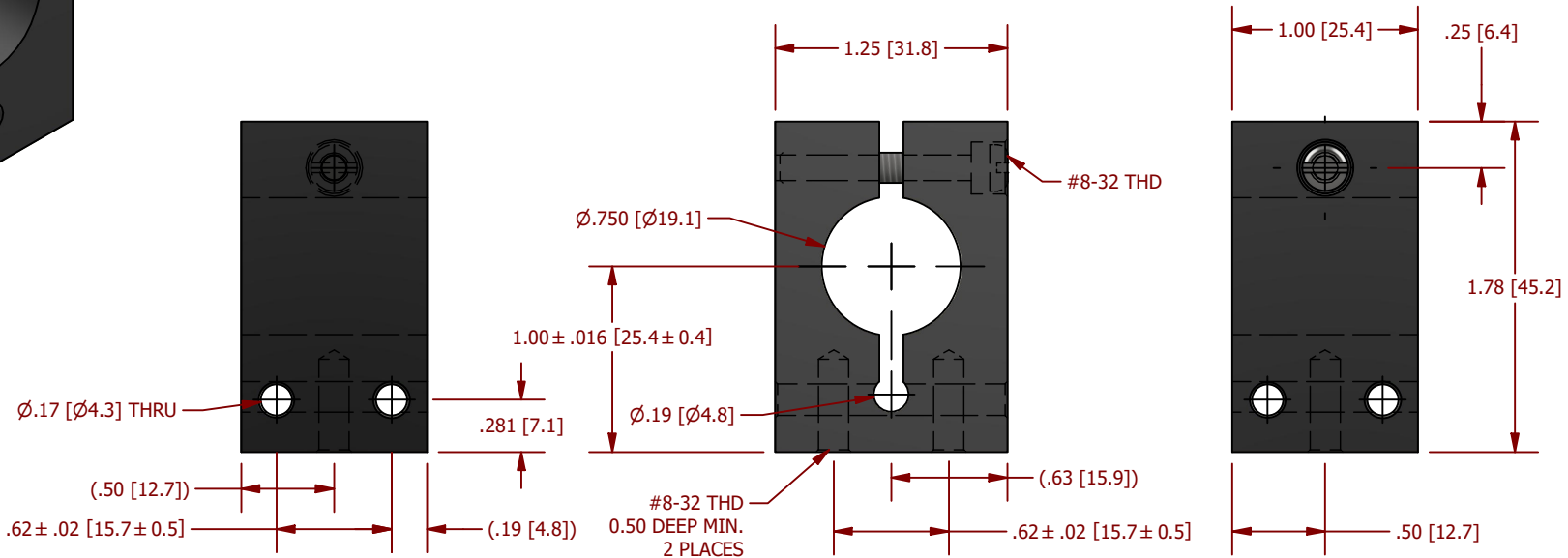


1

REVISION HISTORY			
REV	DESCRIPTION	DATE	APPROVED
--	INITIAL RELEASE	14-Nov-2023	GC
A	Fixed Thread Note (#8-32 was #6-32)	17-Mar-2025	JN



B



B

A

A

NOTES:

Material: Delrin

Max Rated Temp: +185°F (+85°C)

A

<p>GENERAL TOLERANCES</p> <p>X.X \pm 0.05 INCHES [X.X \pm 1.25 mm] X.XX \pm 0.01 INCHES [X.XX \pm .25 mm] X.XXX \pm 0.005 INCHES [X.XXX \pm .125 mm]</p> <p>ANGULAR \pm 0.5°</p> <p>BREAK SHARP EDGES & CORNERS 0.010 MAX</p> <p>CHAMFER FIRST THREAD 0.010 X 30°</p> <p>[] DIMENSIONS ARE IN MILLIMETERS FOR REFERENCE ONLY</p>		<p>3rd ANGLE PROJECTION</p>	<p>HAROLD G. SCHAEVITZ INDUSTRIES</p>
<p>THIS DOCUMENT CONTAINS PROPRIETARY INFORMATION AND IS SOLELY FOR THE EXCLUSIVE USE OF THE ORIGINAL ADDRESSEE. IT IS NOT TO BE REPRODUCED, DISTRIBUTED OR DIVULGED IN WHOLE OR IN PART TO ANY OTHER FIRM OR INDIVIDUAL BY ANY MANNER WITHOUT PRIOR WRITTEN PERMISSION FROM: "HAROLD G. SCHAEVITZ INDUSTRIES"</p>		<p><i>The Sensor Connection</i></p> <p>Bloomfield Hills, Michigan</p> <p>www.HGSIND.com</p>	
<p>TITLE:</p> <p>LVDT-MTD-750-DEL Outline</p>		<p>SIZE: 2023-0043, Rev A, LVDT-MTD-750-DEL Outline</p>	
<p>DRAWN:</p> <p>G. Chicka</p>	<p>14-Nov-23</p>	<p>DATE:</p>	
<p>CHECKED:</p> <p>J. Nielson</p>	<p>14-Nov-23</p>	<p>Sheet: 1 of 1</p>	
<p>SCALE: 1 : 1</p>		<p>APPROVED:</p>	

2



1